

# FLIR GRASSHOPPER<sup>®</sup>3 USB3 VISION

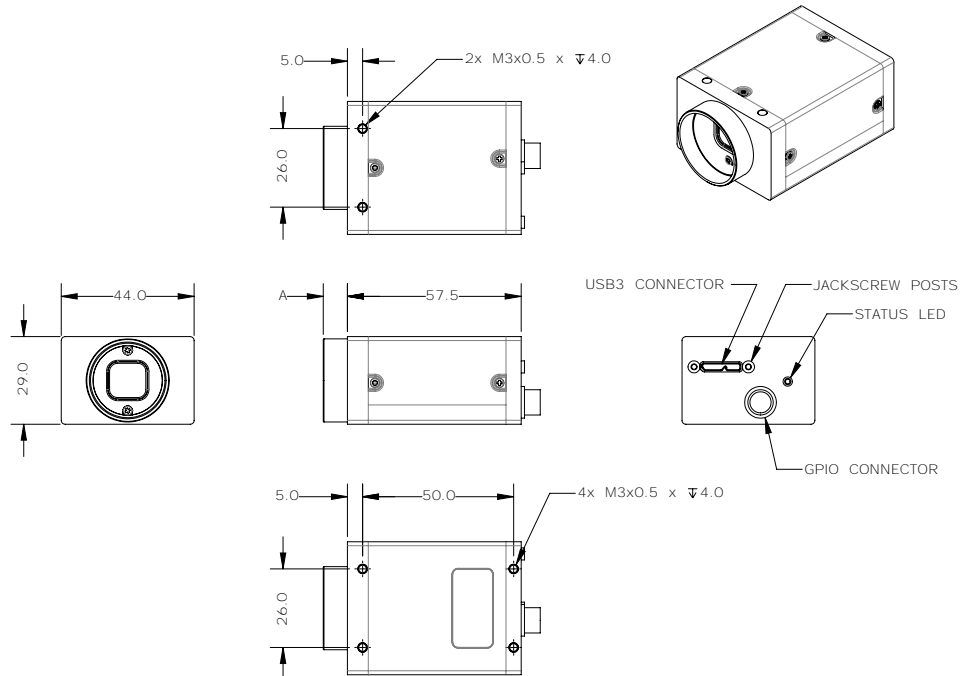


## HIGH PERFORMANCE CCD + CMOS

The high performance Grasshopper3 camera line combines the benefits of CCD with the affordability and data throughput of USB 3.0. Its FPGA and frame buffer-based architecture provides optimal reliability, a rich set of features, and a full image processing pipeline including color interpolation, gamma, and lookup table functionality. The Grasshopper3 offers a powerful, easy-to-use, and cost-effective alternative to Camera Link and dual GigE LAG solutions.

## KEY FEATURES

- USB 3.0 for bandwidth, ease of use, and cost effectiveness
- Variety of high-resolution large format CCD and CMOS sensors
- FPGA and frame buffer-based architecture for optimal reliability



# Specifications

Model	Version	MP	Imaging Sensor
GS3-U3-14S5C-C GS3-U3-14S5M-C	Color Mono	1.4 MP	<ul style="list-style-type: none"> <li>Sony ICX285,2/3", 6.45 µm</li> <li>Global shutter</li> <li>30 FPS at 1384 x 1036</li> </ul>
GS3-U3-15S5C-C GS3-U3-15S5M-C	Color Mono	1.4 MP	<ul style="list-style-type: none"> <li>Sony ICX885,2/3", 6.45 µm</li> <li>Global shutter</li> <li>45 FPS at 1384 x 1032</li> </ul>
GS3-U3-23S6C-C GS3-U3-23S6M-C	Color Mono	2.3 MP	<ul style="list-style-type: none"> <li>Sony IMX174, 1/1.2", 5.86 µm</li> <li>Global shutter</li> <li>163 FPS at 1920 x 1200</li> </ul>
GS3-U3-28S4C-C GS3-U3-28S4M-C	Color Mono	2.8 MP	<ul style="list-style-type: none"> <li>Sony ICX687, 1/1.8", 3.69 µm</li> <li>Global shutter</li> <li>26 FPS at 1928 x 1448</li> </ul>
GS3-U3-28S5C-C GS3-U3-28S5M-C	Color Mono	2.8 MP	<ul style="list-style-type: none"> <li>Sony ICX674, 2/3", 4.54 µm</li> <li>Global shutter</li> <li>26 FPS at 1920 x 1440</li> </ul>
GS3-U3-32S4C-C GS3-U3-32S4M-C	Color Mono	3.2 MP	<ul style="list-style-type: none"> <li>Sony IMX252, 1/1.8", 3.45 µm</li> <li>Global shutter</li> <li>121 FPS at 2048 x 1536</li> </ul>
GS3-U3-41C6C-C GS3-U3-41C6M-C	Color Mono	4.1 MP	<ul style="list-style-type: none"> <li>CMOSISCMV4000-3E5, 1", 5.5 µm</li> <li>Global shutter</li> <li>90 FPS at 2048 x 2048</li> </ul>
GS3-U3-41C6NIR	Mono NIR	4.1 MP	<ul style="list-style-type: none"> <li>CMOSISCMV4000-3E12, 1", 5.5 µm</li> <li>Global shutter</li> <li>90 FPS at 2048 x 2048</li> </ul>
GS3-U3-41S4C-C GS3-U3-41S4M-C	Color Mono	4.1 MP	<ul style="list-style-type: none"> <li>Sony ICX808, 1/1.8", 3.1 µm</li> <li>Global shutter</li> <li>18 FPS at 2016 x 2016</li> </ul>
GS3-U3-50S5C-C GS3-U3-50S5M-C	Color Mono	5.0 MP	<ul style="list-style-type: none"> <li>Sony ICX625, 2/3", 3.45 µm</li> <li>Global shutter</li> <li>15 FPS at 2448 x 2048</li> </ul>
GS3-U3-51S5C-C GS3-U3-51S5M-C	Color Mono	5.0 MP	<ul style="list-style-type: none"> <li>Sony IMX250, 2/3", 3.45 µm</li> <li>Global shutter</li> <li>75 FPS at 2448 x 2048</li> </ul>
GS3-U3-60S6C-C GS3-U3-60S6M-C	Color Mono	6.0 MP	<ul style="list-style-type: none"> <li>Sony ICX694, 1", 4.54 µm</li> <li>Global shutter</li> <li>13 FPS at 2736 x 2192</li> </ul>
GS3-U3-60QS6C-C GS3-U3-60QS6M-C	Color Mono	6.0 MP	<ul style="list-style-type: none"> <li>Sony ICX694, 1", 4.54 µm</li> <li>Global shutter</li> <li>25 FPS at 2736 x 2192</li> </ul>
GS3-U3-89S6C-C GS3-U3-89S6M-C	Color Mono	8.9 MP	<ul style="list-style-type: none"> <li>Sony IMX255, 1", 3.45 µm</li> <li>Global shutter</li> <li>43 FPS at 4096 x 2160</li> </ul>
GS3-U3-91S6C-C GS3-U3-91S6M-C	Color Mono	9.1 MP	<ul style="list-style-type: none"> <li>Sony ICX814, 1", 3.69 µm</li> <li>Global shutter</li> <li>9 FPS at 3376 x 2704</li> </ul>
GS3-U3-120S6C-C GS3-U3-120S6M-C	Color Mono	12 MP	<ul style="list-style-type: none"> <li>Sony ICX834, 1", 3.1 µm</li> <li>Global shutter</li> <li>7 FPS at 4240 x 2824</li> </ul>
GS3-U3-123S6C-C GS3-U3-123S6M-C	Color Mono	12.3 MP	<ul style="list-style-type: none"> <li>Sony IMX253, 1.1", 3.45 µm</li> <li>Global shutter</li> <li>30 FPS at 4096 x 3000</li> </ul>

<b>Imaging Performance (EMVA 1288)</b>	See the Imaging Performance Specification, which includes quantum efficiency, saturation capacity (full well depth), read noise, dynamic range and signal to noise ratio.
<b>A/D Converter</b>	14-bit (10-bit GS3-U3-41C6, 10- and 12-bit GS3-U3-23S6, GS3-U3-32S4, GS3-U3-51S5, GS3-U3-89S6, GS3-U3-123S6)
<b>Video Data Output</b>	8, 12, 16 and 24-bit digital data
<b>Image Data Formats</b>	Mono8, Mono12, Mono16 (all models) RGB, YUV411, YUV422, YUV444, Raw8, Raw12, Raw16 (color models)
<b>Partial Image Modes</b>	Pixel binning and region of interest (ROI) modes
<b>Image Processing</b>	Gamma, lookup table, hue, saturation, and sharpness
<b>Shutter</b>	Global shutter; Automatic/manual/one- push/extended shutter modes Up to 32 seconds (GS3-U3-28S5, GS3-U3-41S4, GS3-U3-50S5, GS3-U3-60S6, GS3-U3-89S6, GS3-U3-91S6, GS3-U3-123S6); up to 30 seconds (GS3-U3-28S4); up to 4 seconds (GS3-U3-14S5, GS3-U3-15S5, GS3-U3-32S4, GS3-U3-41C6, GS3-U3-51S5, GS3-U3-120S6); up to 3.2 seconds (GS3-U3-23S6)
<b>Gain</b>	Automatic/manual/one- push modes -3.66 dB to 24 dB GS3-U3-14S5; -1.583 dB to 24 dB GS3-U3-15S5; 0 dB to 24 dB GS3-U3-23S6/GS3-U3-28S4/GS3-U3-28S5; 0 dB to 47.9 dB GS3-U3-32S4; 0 to 10.1 dB GS3-U3-41C6; -7.742 dB to 24 dB GS3-U3-41S4; -6.51 dB to 24 dB GS3-U3-50S5; 0 dB to 48 dB GS3-U3-51S5, GS3-U3-89S6, GS3-U3-123S6; -6.158 to 24 dB GS3-U3-60S6; -9 to 24 dB GS3-U3-91S6; -5.455 dB to 24 dB GS3-U3-120S6
<b>Gamma</b>	0.50 to 4.00, programmable lookup table
<b>White Balance</b>	Automatic/manual/one- push modes
<b>High Dynamic Range</b>	Cycle 4 gain and exposure presets
<b>Color Processing</b>	On-camera in YUV or RGB format, or on-PC in Raw format
<b>Digital Interface</b>	USB 3.0 interface with screw locks for camera control, data, and power
<b>Transfer Rates</b>	5 Gbit/s
<b>GPIO</b>	8-pin Hirose HR25 GPIO connector for power, trigger, strobe, PWM, and serial I/O, 1 opto-isolated input, 1 opto-isolated output, 2 bi-directional I/O pins
<b>External Trigger Modes</b>	Standard, bulb, low smear (CCDonly), overlapped, and multi shot trigger modes
<b>Image Buffer</b>	128 MB frame buffer
<b>Memory Channels</b>	2 user configuration sets for custom camera settings
<b>Flash Memory</b>	2 MB non-volatile memory
<b>Dimensions</b>	44 mm x 29 mm x 58 mm excluding lens holder, without optics (metal case)
<b>Mass</b>	90 grams (without optics or tripod mounting bracket)
<b>Power Consumption</b>	5 V via USB 3.0 or 8-24 V via GPIO (external power is recommended)
<b>Camera Control</b>	Via FlyCapture SDK or third party software
<b>Camera Updates</b>	In-field firmware updates
<b>Lens Mount</b>	C-mount
<b>Temperature</b>	Operating: 0° to 50°C; Storage: -30° to 60°C
<b>Humidity</b>	Operating: 20 to 80% (no condensation); Storage: 20 to 95% (no condensation)
<b>Compliance</b>	CE, FCC, RoHS
<b>Operating System</b>	Windows, Linux (32- or 64-bit)
<b>Warranty</b>	3 years

## FLIR Integrated Imaging Solutions

### CANADA

12051 Riverside Way  
Richmond, BC, Canada  
V6W 1K7  
T: +1 866.765.0827 (toll free)  
T: +1 604.242.9937  
F: +1 604.242.9938  
E: mv-sales@flir.com  
www.flir.com/iis

### USA

T: +1 866.765.0827 (toll free)  
E: mv-na-sales@ptgrey.com

### EUROPE

T: +49 7141 488817-0  
F: +49 7141 488817-99  
E: mv-eusales@flir.com

### CHINA

T: +86 10 8215 9938  
F: +86 10 8215 9936  
E: mv-chinasales@flir.com

### ASIA

E: mv-asiasales@ptgrey.com

For a full list of international distributors and offices visit [www.flir.com/contact-us](http://www.flir.com/contact-us)

©2017 FLIR® Integrated Imaging Solutions Inc. All rights reserved.

Names and marks appearing on the products herein are either registered trademarks or trademarks of FLIR® Systems, Inc. and/or its subsidiaries.