



# CMV-65 CL

*Global Shutter CMOS*

**9344 x 7000 - 3.2µm PIXEL - APS Format**



*The CMV-65 features the latest generation Gpixel GMAX3265 3.2µm charge-domain global shutter sensor. With 65MP and a 37.4mm diagonal, the CMV-65 is ideal for high resolution machine vision and industrial inspection applications.*

The CMV-65 offers outstanding quality by using the GPixel GMAX3265 CMOS sensor. The image sensor has 14 digital outputs each running up to 50Mhz. This results in 9.1 fps at full resolution in CameraLink full mode. Higher frame rates can be achieved in ROI/windowing mode. The cooling fan insures minimum dark current and excellent image quality by maintaining the temperature of the sensor close to the ambient temperature.

## **CMV-65 CL CMOS HIGHLIGHTS**

- ✓ 9344 X 7000 = 65M 3.2µm x 3.2µm pixels
- ✓ Charge Domain Global Shutter CMOS Pixel Technology with light pipe
- ✓ 29.9 x 22.4mm imaging area ~ APS
- ✓ Monochrome and RGB Bayer versions
- ✓ Dynamic range 66dB
- ✓ Well depth 10.9Ke
- ✓ Windowing ROI capability
- ✓ Field Updatable Firmware and Extensive Built In Test (BIT)
- ✓ CameraLink output: Base, Medium, Full and Deca
- ✓ Drone sized OEM Module available
- ✓ M58, Nikon F, Canon EF and OEM lens mounts

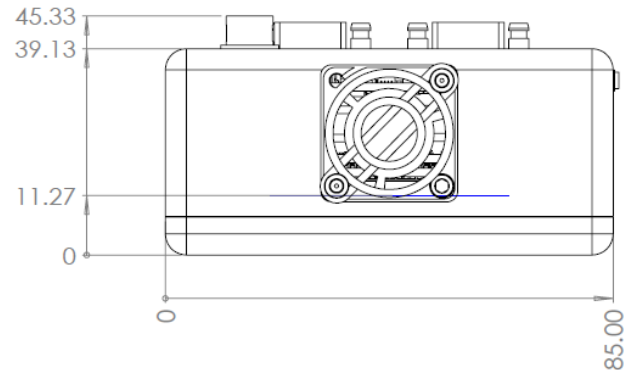
## CMV-65 CL CMOS SPECIFICATIONS

<b>Sensor</b>	Gpixel GMAX3265 Monochrome, Bayer Color
<b>Architecture</b>	Global Shutter CMOS Charge Domain Pixel
<b>Configuration</b>	Progressive Scan
<b>Active Pixels</b>	9344 (H) x 7000 (V), 65Mpix
<b>Pixel Size</b>	3.2 x 3.2µm with CDS
<b>Active Image Size</b>	29.9 x 22.4mm (~APS)
<b>Import Category</b>	Digital Still Image Camera
<b>Sensor Outputs</b>	14 lvds outputs from sensor. Digitized 12 bits, Output 8/10/12 bits
<b>Frame Rate</b>	See Table
<b>Dynamic Range</b>	66dB @ gain x 1.25
<b>Pixel Clock Speed</b>	Up to 50Mhz, 14 channels
<b>Full Well Charge</b>	10900e @ gain 0.75
<b>Global Shutter</b>	Minimum exposure TBD PLS < -83.5dB (1/15000)
<b>Dark Noise</b>	5.3e/s
<b>Peak QE</b>	65.3%
<b>Power</b>	7-12VDC at 8W Reverse power protected
<b>Exposure Modes</b>	Free Run, Triggered Program, Triggered Pulse Width
<b>Defect Correction</b>	Pixel, Hot Pixel, Shading
<b>Lens Mount Options</b>	M58, Nikon F, Canon EF, OEM
<b>Options</b>	OEM Module, TEC Cooled version, USB3
<b>Operating Temperature</b>	0°C to +70°C (TBD)

All illunis cameras come with our free camera control software, which allows interactive setup of all camera parameters.



## M58 DIMENSIONS



## APPLICATIONS

- ✓ LCD/FPD INSPECTION > 8K FPD RESOLUTION
- ✓ AERIAL IMAGING
- ✓ BIOMETRIC
- ✓ AUTOMOTIVE INSPECTION
- ✓ AGRICULTURAL INSPECTION
- ✓ MILITARY
- ✓ SURVEILLANCE
- ✓ PCB INSPECTION

Data Interface	pixel / bits	Frame Rate
Camera Link Base	8 / 10 / 12	2.25
Camera Link Medium	8 / 10 / 12	4.5
Camera Link Full	8 x 8	9.1
Camera Link Deca	8 x 10	9.1

# Get in Touch

✉ [info@illunis.com](mailto:info@illunis.com)



### CONTACT US

illunis, LLC  
14700 Excelsior Boulevard  
Minnetonka, MN 55345 USA

☎ +1.952.975.9203  
📠 +1.952.294.8308 (fax)  
✉ [info@illunis.com](mailto:info@illunis.com)  
🌐 [www.illunis.com](http://www.illunis.com)